

10K CAST STAINLESS STEEL, BALL VALVES

KITZ Fig:10UTB

Sizes: 1/2-8inch(15-200mm)

Anti-static Device, Full Bore, Flanged Ends.

Standards

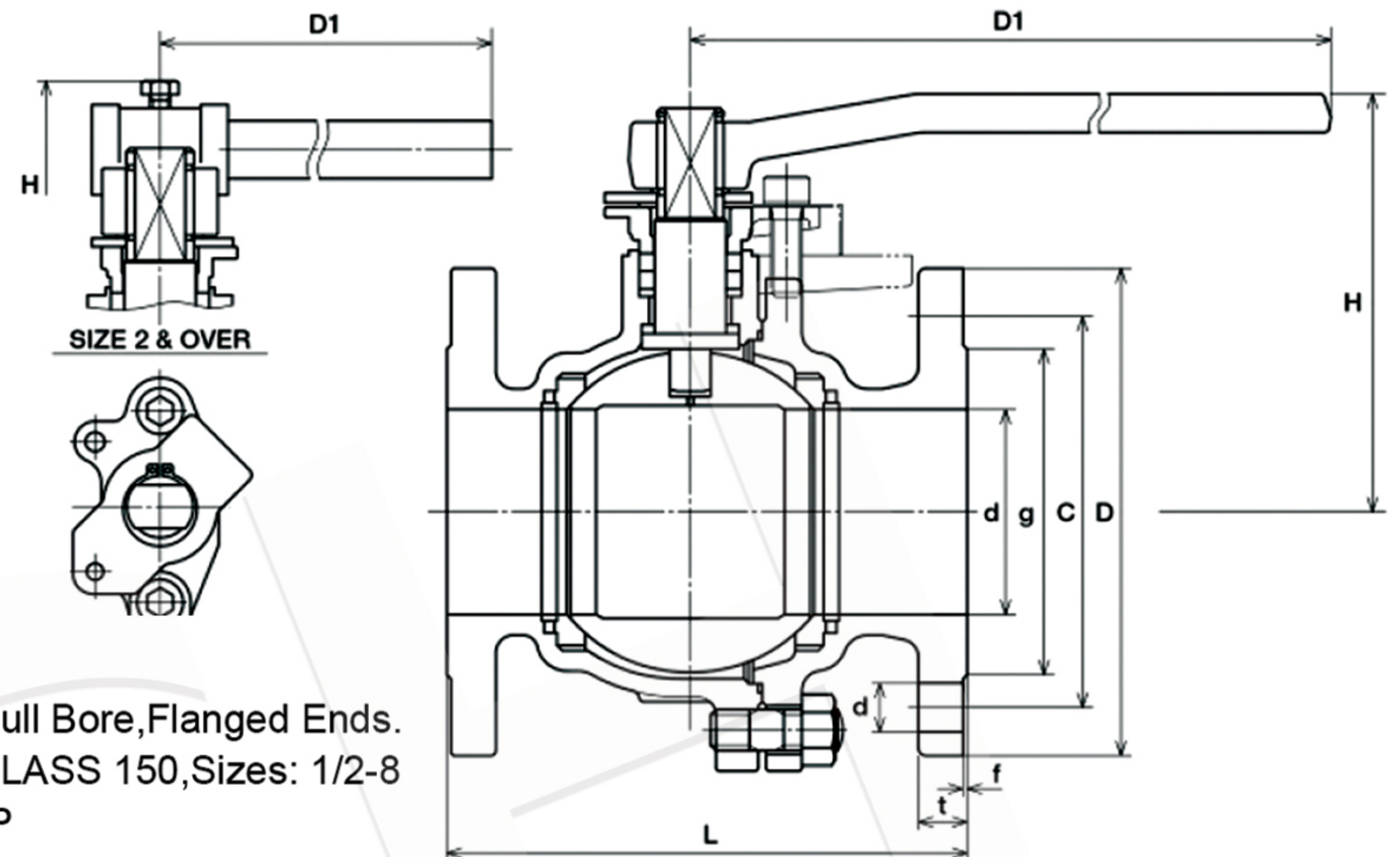
- End to End: KITZ STANDARD
- End Connection: JIS B2220 10K
- Wall Thickness: ASME B16.34 CLASS 150

Test Standard

- KITZ STANDARD

Specifications

10K CAST STAINLESS STEEL, BALL VALVES, Anti-static Device, Full Bore, Flanged Ends. End Connection: JIS B2220 10K, Wall Thickness: ASME B16.34 CLASS 150, Sizes: 1/2-8 inch(15-200mm), BODY MATERIAL: STAINLESS STEEL, BODYCAP MATERIAL: STAINLESS STEEL, STEM MATERIAL: STAINLESS STEEL, BALL MATERIAL: STAINLESS STEEL, KITZ Fig:10UTB



Dimensions

SIZE(inch/mm)	L	H	D1	Kg
1/2 15	110.0	102.0	130.0	2.2
3/4 20	120.0	105.0	130.0	2.6
1 25	130.0	124.0	160.0	4.4
1 1/4 32	140.0	130.0	160.0	5.8
1 1/2 40	165.0	115.0	230.0	7.1
2 50	180.0	120.0	230.0	9.0
2 1/2 65	190.0	155.0	400.0	16.0
3 80	200.0	165.0	400.0	19.0
4 100	230.0	200.0	460.0	29.0
5 125	300.0	220.0	460.0	48.0
6 150	340.0	295.0	1000.0	70.0
8 200	450.0	355.0	1500.0	105.0

Material List

NAME OF PART	MATERIAL	SPECIFICATION
BODY	STAINLESS STEEL	SCS13A
BODYCAP	STAINLESS STEEL	SCS13A
STEM	STAINLESS STEEL	SUS304
BALL	STAINLESS STEEL	SUS304 OR SCS13A